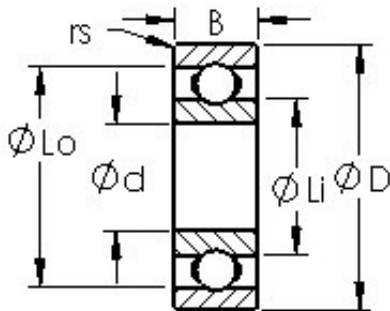




BEARING PRECISION AXLE CORP.



AST 697H Deep groove ball bearings

Bearing No. 697H

Size	7x17x5 mm
Bore Diameter	7 mm
Outer Diameter	17 mm
Width	5 mm
Bearing Type	Open
Bore Dia (d)	7.0000
Outer Dia (D)	17.0000
Width (B)	5.0000
Radius (min) (rs)	0.300
Dynamic Load Rating (Cr)	1,364
Static Load Rating (Cor)	575
Max Speed (Grease) (X1000 RPM)	36
Max Speed (Oil) (X1000 RPM)	43
Max. Shaft Shoulder Dia. Inner (Li)	10.4
Min. Housing Shoulder Dia., Outer (Lo)	13.6
Ball Qty	9
Ball Dia (Dw)	2.3810
Weight (g)	5.26
Precision	A1
Standard Clearance	K25
Material	Martensitic Stainless Steel

697H Bearing 2D drawings and 3D CAD models