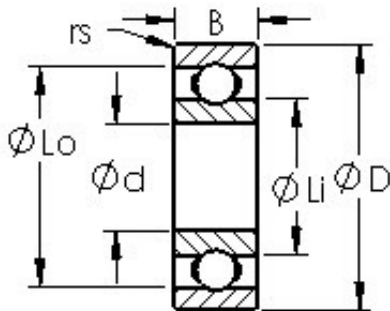




BEARING PRECISION AXLE CORP.



AST SMR126 Deep groove ball bearings

Bearing No. SMR126

Size	6x12x3 mm
Bore Diameter	6 mm
Outer Diameter	12 mm
Width	3 mm
Bearing Type	Open
Bore Dia (d)	6.0000
Outer Dia (D)	12.0000
Width (B)	3.0000
Radius (min) (rs)	0.200
Dynamic Load Rating (Cr)	609
Static Load Rating (Cor)	236
Max Speed (Grease) (X1000 RPM)	43
Max Speed (Oil) (X1000 RPM)	50
Max. Shaft Shoulder Dia. Inner (Li)	7.7
Min. Housing Shoulder Dia., Outer (Lo)	10.2
Ball Qty	8
Ball Dia (Dw)	1.5880
Weight (g)	1.25
Precision	A1
Standard Clearance	K25
Material	Martensitic Stainless Steel

SMR126 Bearing 2D drawings and 3D CAD models