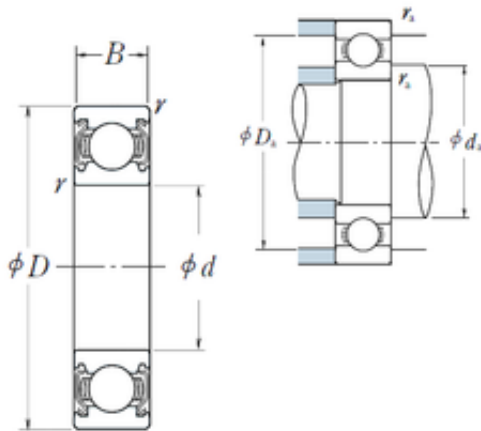




BEARING PRECISION AXLE CORP.



17 mm x 47 mm x 14 mm NSK 6303ZZ Deep groove ball bearings

Bearing No. 6303ZZ

6303ZZ Bearing 2D drawings and 3D CAD models

Size	17x47x14 mm
Bore Diameter	17 mm
Outer Diameter	47 mm
Width	14 mm
d	17 mm
D	47 mm
B	14 mm
C	14 mm
r min.	1 mm
da min.	22 mm
da max	25,5 mm
Da max.	42 mm
ra max.	1 mm
Weight	0,113 Kg
Basic dynamic load rating (C)	13,6 kN
Basic static load rating (C0)	6,65 kN
(Grease) Lubrication Speed	15 000 r/min
Category	Single Row Ball Bearings
Inventory	0.0
Manufacturer Name	NSK
Minimum Buy Quantity	N/A
Weight / Kilogram	0.115
EAN	0029176016462
Product Group	B00308
Enclosure	2 Metal Shields



BEARING PRECISION AXLE CORP.

Precision Class	ABEC 1 ISO P0
Maximum Capacity / Filling Slot	No
Rolling Element	Ball Bearing
Snap Ring	No
Internal Special Features	No
Cage Material	Steel
Internal Clearance	C0-Medium
Inch - Metric	Metric
Long Description	17MM Bore; 47MM Outside Diameter; 14MM Outer Race Diameter; 2 Metal Shields; Ball Bearing; ABEC 1 ISO P0; No Filling Slot; No Snap Ring; No Internal Special Features
Category	Single Row Ball Bearing
UNSPSC	31171504
Harmonized Tariff Code	8482.10.50.68
Noun	Bearing
Keyword String	Ball
Manufacturer URL	http://www.nskamericas.com
Manufacturer Item Number	6303ZZ
Weight / LBS	0.115
Bore	0.669 Inch 17 Millimeter
Outer Race Width	0.551 Inch 14 Millimeter
Outside Diameter	1.85 Inch 47 Millimeter
bore diameter:	17 mm
closure type:	Double Shielded
outside diameter:	47 mm
internal clearance:	Normal Clearance
overall width:	14 mm
manufacturer upc number:	029176016462
bore type:	Round



BEARING PRECISION AXLE CORP.

SRI	4.41
hidYobi	6303ZZ
LangID	1
D_	47
SREX	0.04
B_	14
da min	22
hidTable	ecat_NSRDGB
SRE	4.63
mass	0.113
GRS rpm	15000
ra	1
SRIX	0.02
D_a	42
SRIN	0
C0	6.65
fo	12.4
SREN	0
DE_	41.731
Prod_Type3	DGBB_SR_ZZ
DA_	8.731
bomp	0
Z_	7
yobi	6303ZZ
C_conv	13600
ALPHA_	0
SDM_	33
r	1
KBRG	6141
SBRG	3
DI_	24.269