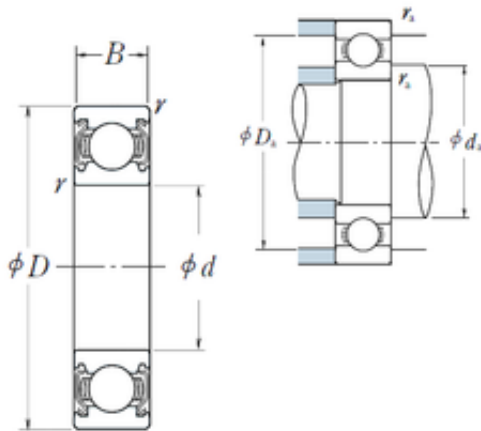




BEARING PRECISION AXLE CORP.



110 mm x 150 mm x 20 mm NSK 6922ZZ Deep groove ball bearings

Bearing No. 6922ZZ

6922ZZ Bearing 2D drawings and 3D CAD models

Size	110x150x20 mm
Bore Diameter	110 mm
Outer Diameter	150 mm
Width	20 mm
d	110 mm
D	150 mm
B	20 mm
C	20 mm
r min.	1,1 mm
da min.	116,5 mm
da max	121 mm
Da max.	143,5 mm
ra max.	1 mm
Weight	0,893 Kg
Basic dynamic load rating (C)	43,5 kN
Basic static load rating (C0)	44,5 kN
(Grease) Lubrication Speed	4 300 r/min
Category	Single Row Ball Bearings
Inventory	0.0
Manufacturer Name	NSK
Minimum Buy Quantity	N/A
Weight / Kilogram	0.975
EAN	0029176377228
Product Group	B00308
Enclosure	2 Metal Shields



BEARING PRECISION AXLE CORP.

Precision Class	ABEC 1 ISO P0
Maximum Capacity / Filling Slot	No
Rolling Element	Ball Bearing
Snap Ring	No
Internal Special Features	No
Cage Material	Steel
Internal Clearance	C0-Medium
Inch - Metric	Metric
Long Description	110MM Bore; 150MM Outside Diameter; 20MM Outer Race Width; 2 Metal Shields; Ball Bearing; ABEC 1 ISO P0; No Filling Slot; No Snap Ring; No Internal Special Features; C0-Medium Internal Clearance; St
Other Features	Deep Groove
Category	Single Row Ball Bearing
UNSPSC	31171504
Harmonized Tariff Code	8482.10.50.68
Noun	Bearing
Keyword String	Ball
Manufacturer URL	http://www.nskamericas.com
Weight / LBS	1.9691
Inner Race Width	0 Inch 0 Millimeter
Outer Race Width	0.787 Inch 20 Millimeter
Bore	4.331 Inch 110 Millimeter
Outside Diameter	5.906 Inch 150 Millimeter
SRI	6.16
hidYobi	6922ZZ
LangID	1
D_	150



BEARING PRECISION AXLE CORP.

SREX	0.025
B_	20
da min	116.5
hidTable	ecat_NSRDGB
SRE	6.16
mass	0.893
GRS rpm	4300
ra	1
SRIX	0.025
D_a	143.5
SRIN	-0.025
C0	44.5
fo	16.6
SREN	-0.025
DE_	141.906
Prod_Type3	DGBB_SR_ZZ
DA_	11.906
bomp	0
Z_	19
yobi	6922ZZ
C_conv	43500
ALPHA_	0
SDM_	130
r	1.1
KBRG	6141
SBRG	19
DI_	118.094