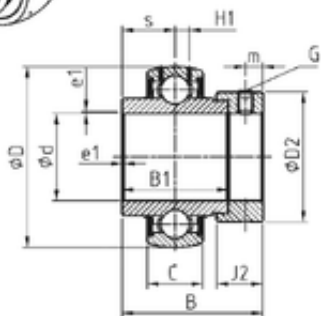




BEARING PRECISION AXLE CORP.



EX214-43 Bearing 2D drawings and 3D CAD models

68,2625 mm x 125 mm x 85,7 mm SNR
EX214-43 Deep groove ball bearings

Bearing No. EX214-43

Size	68.2625x125x85.7 mm
Bore Diameter	68,2625 mm
Outer Diameter	125 mm
Width	85,7 mm
d	68,2625 mm
D	125 mm
B	85,7 mm
B1	68,2 mm
C	30 mm
e	2 mm
a	4,7625 mm
m	8,5 mm
s	34,1 mm
D2	96,8 mm
H1	9 mm
Thread (G) - 3/8-24UNF	3/824UNF
J2	23,5 mm
Weight	2,62 Kg
Basic dynamic load rating (C)	62 kN