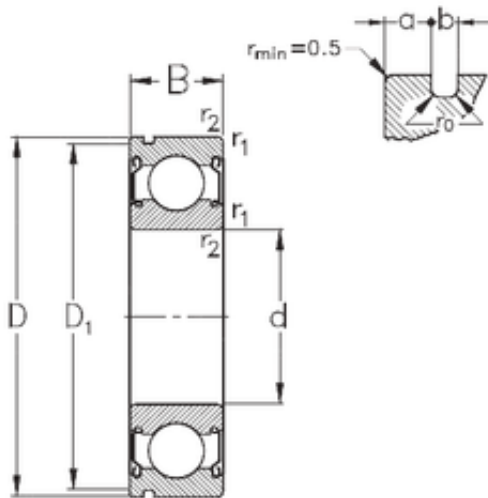




BEARING PRECISION AXLE CORP.



40 mm x 90 mm x 23 mm NKE 6308-2Z-N
Deep groove ball bearings

Bearing No. 6308-2Z-N

Size	40x90x23 mm
Bore Diameter	40 mm
Outer Diameter	90 mm
Width	23 mm
d	40 mm
D	90 mm
B	23 mm
C	23 mm
a	3,28 mm
b	2,7 mm
f	2,46 mm
r1 min.	1,5 mm
r2 min.	1,5 mm
D1	86,79 mm
D2	96,5 mm
Weight	0,632 Kg
Basic dynamic load rating (C)	40,8 kN
Basic static load rating (C0)	24 kN

6308-2Z-N Bearing 2D drawings and 3D CAD models