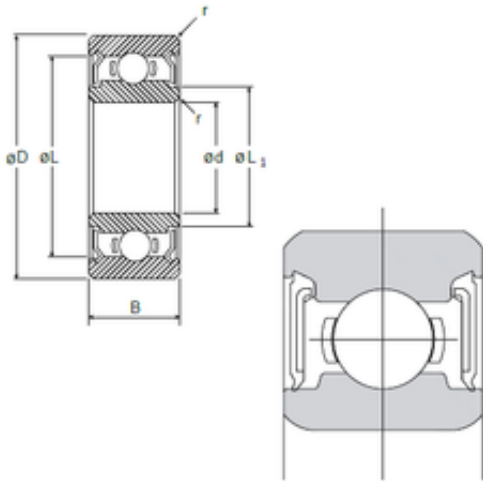




## BEARING PRECISION AXLE CORP.



6 mm x 19 mm x 6 mm NMB R-1960DD Deep groove ball bearings

Bearing No. R-1960DD

Size	6x19x6 mm
Bore Diameter	6 mm
Outer Diameter	19 mm
Width	6 mm
d	6 mm
D	19 mm
B	6 mm
C	6 mm
r min.	0,3 mm
L	16,26 mm
L1	8,67 mm
Basic dynamic load rating (C)	2,805 kN

R-1960DD Bearing 2D drawings and 3D CAD models