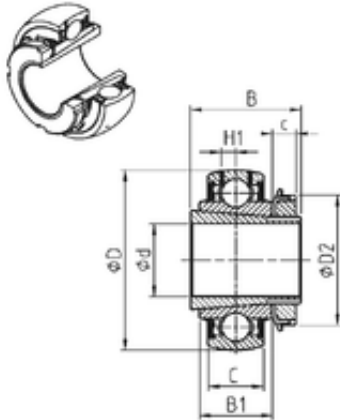




BEARING PRECISION AXLE CORP.

76,2 mm x 150 mm x 82 mm SNR UK217+H-48
Deep groove ball bearings



Bearing No. UK217+H-48

Size	76.2x150x82 mm
Bore Diameter	76,2 mm
Outer Diameter	150 mm
Width	82 mm
d	76,2 mm
D	150 mm
B	82 mm
B1	44 mm
C	35 mm
c	18 mm
D2	110 mm
H1	11 mm
Weight	3,72 Kg
Basic dynamic load rating (C)	83,2 kN

UK217+H-48 Bearing 2D drawings and 3D CAD models