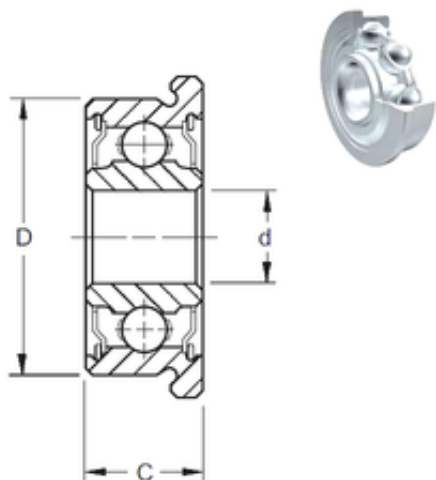




BEARING PRECISION AXLE CORP.



2,5 mm x 8 mm x 4 mm ZEN F602X-2Z Deep groove ball bearings

Bearing No. F602X-2Z

Size	2.5x8x4 mm
Bore Diameter	2,5 mm
Outer Diameter	8 mm
Width	4 mm
d	2,5 mm
D	8 mm
B	4 mm
C	4 mm
Basic dynamic load rating (C)	0,552 kN
Basic static load rating (C0)	0,177 kN

F602X-2Z Bearing 2D drawings and 3D CAD models