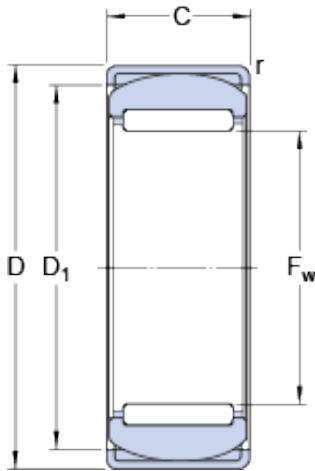




BEARING PRECISION AXLE CORP.



RPNA 20/35 Bearing 2D drawings and 3D CAD models

SKF RPNA 20/35 Cylindrical roller bearings

Bearing No. RPNA 20/35

Size	35x20x16 mm
Bore Diameter	35 mm
Outer Diameter	20 mm
Width	16 mm
F_w	20 mm
D	35 mm
C	16 mm
D_1	30.5 mm
r - min.	0.8 mm
D_a - min.	29.5 mm
D_a - max.	30.5 mm
r_a - max.	0.8 mm
Basic dynamic load rating - C	13.2 kN
Basic static load rating - C_0	19.3 kN
Fatigue load limit - P_u	2.3 kN
Reference speed	19000 r/min
Limiting speed	22000 r/min
Category	Roller Bearings
Inventory	0.0
Manufacturer Name	SKF
Minimum Buy Quantity	N/A
Weight / Kilogram	0.065
EAN	7316577722492
Product Group	B04144
F_w	20 mm



BEARING PRECISION AXLE CORP.

D_1	30.5 mm
r min.	0.8 mm
D_a min.	29.5 mm
D_a max.	30.5 mm
r_a max.	0.8 mm
Basic dynamic load rating C	13.2 kN
Basic static load rating C_0	19.3 kN
Fatigue load limit P_u	2.28 kN
Mass bearing	0.062 kg