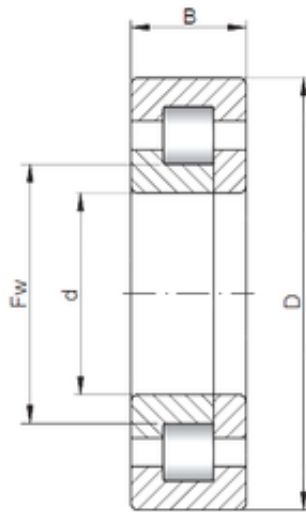




BEARING PRECISION AXLE CORP.



420 mm x 620 mm x 150 mm ISO NUP3084
Cylindrical roller bearings

Bearing No. NUP3084

Size	420x620x150 mm
Bore Diameter	420 mm
Outer Diameter	620 mm
Width	150 mm
d	420 mm
D	620 mm
B	150 mm
C	150 mm

NUP3084 Bearing 2D drawings and 3D CAD models