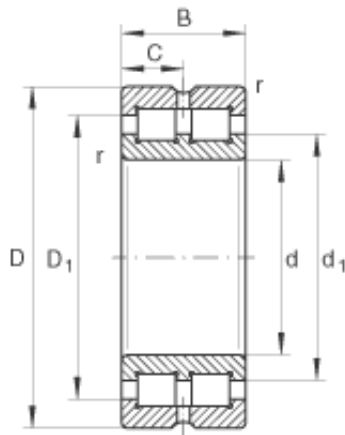




## BEARING PRECISION AXLE CORP.



### 320 mm x 440 mm x 118 mm INA SL014964 Cylindrical roller bearings

Bearing No. SL014964

SL014964 Bearing 2D drawings and 3D CAD models

Size	320x440x118 mm
Bore Diameter	320 mm
Outer Diameter	440 mm
Width	118 mm
d	320 mm
D	440 mm
B	118 mm
C	59 mm
D <sub>1</sub>	401,1 mm
d <sub>1</sub>	367,5 mm
r <sub>min</sub>	3 mm
	NNC4964V / Designation to DIN 5412
m	56 kg / Weight
C <sub>r</sub>	1700000 N / Dynamic load rating (radial)
C <sub>0r</sub>	4050000 N / Static load rating (radial)
C <sub>ur</sub>	430000 N / Fatigue limit load, radial
n <sub>G</sub>	800 1/min / Limiting speed
Category	Cylindrical Roller Bearings
Inventory	0.0
Manufacturer Name	SCHAEFFLER GROUP
Minimum Buy Quantity	N/A
Weight / Kilogram	67.12



## BEARING PRECISION AXLE CORP.

Product Group	B04144
Bore Profile	Straight
Cage Material	None
Precision Class	RBEC 1   ISO P0
Number of Rows of Rollers	Double Row
Separable	No
Rolling Element	Cylindrical Roller Bearing
Profile	Complete with Outer and Inner Ring
Snap Ring	No
Internal Clearance	C0-Medium
Retainer	No
Relubricatable	Yes
Inch - Metric	Metric
Other Features	Full Complement   3 Rib Inner Ring   2 Rib Outer Ring   Operating Temperature From -30 to 120 Deg
Long Description	320MM Bore; Straight Bore Profile; 440MM Outside Diameter; 118MM Width; RBEC 1   ISO P0; Double Row; Not Separable; No Snap Ring; Relubricatable; C0-Medium Internal Clearance; No Retainer
Category	Cylindrical Roller Bearing
UNSPSC	31171547
Harmonized Tariff Code	8482.50.00.00
Noun	Bearing
Manufacturer URL	<a href="http://www.ina.com">http://www.ina.com</a>
Manufacturer Item Number	SL014964
Weight / LBS	147.84
Width	4.646 Inch   118 Millimeter
Outside Diameter	17.323 Inch   440 Millimeter



## BEARING PRECISION AXLE CORP.

Bore

12.598 Inch | 320 Millimeter