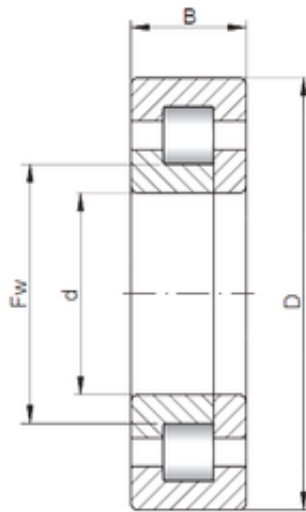




BEARING PRECISION AXLE CORP.



630 mm x 780 mm x 69 mm ISO NUP18/630
Cylindrical roller bearings

Bearing No. NUP18/630

Size	630x780x69 mm
Bore Diameter	630 mm
Outer Diameter	780 mm
Width	69 mm
d	630 mm
D	780 mm
B	69 mm
C	69 mm

NUP18/630 Bearing 2D drawings and 3D CAD models