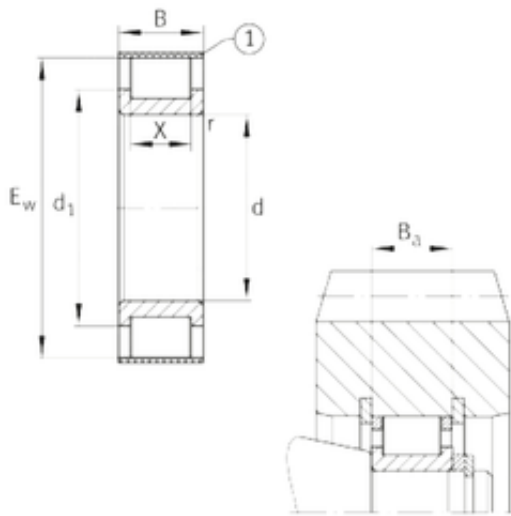




# BEARING PRECISION AXLE CORP.



## INA RSL182214-A Cylindrical roller bearings

Bearing No. RSL182214-A

Size	70x111.01x31 mm
Bore Diameter	70 mm
Outer Diameter	111,01 mm
Width	31 mm
d	70 mm
Ew	111,01 mm
B	31 mm
Ba	26,5 mm
X	22 mm
d1	87 mm
r min.	1,5 mm
Weight	0,98 Kg
Basic dynamic load rating (C)	181 kN

RSL182214-A Bearing 2D drawings and 3D CAD models