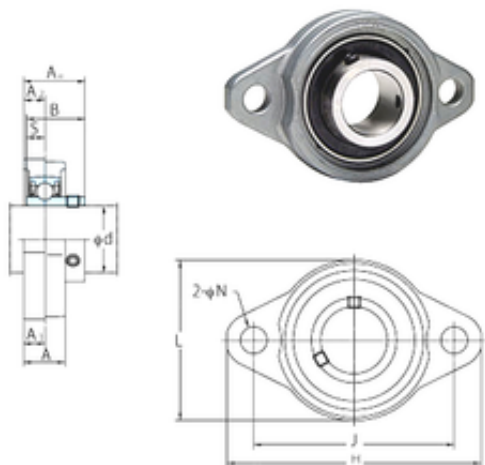




BEARING PRECISION AXLE CORP.

FYH UFL006 Bearing units

Bearing No. UFL006



UFL006 Bearing 2D drawings and 3D CAD models

Bore Diameter	30 mm
d	30 mm
A0	26 mm
A	18 mm
A1	9 mm
B	24,5 mm
H	112 mm
J	85 mm
L	70 mm
N	13 mm
S	7,5 mm
Bolt (G)	M10
A2	9 mm
Weight	0,31 Kg
Basic dynamic load rating (C)	13,2 kN
Basic static load rating (C0)	8,25 kN