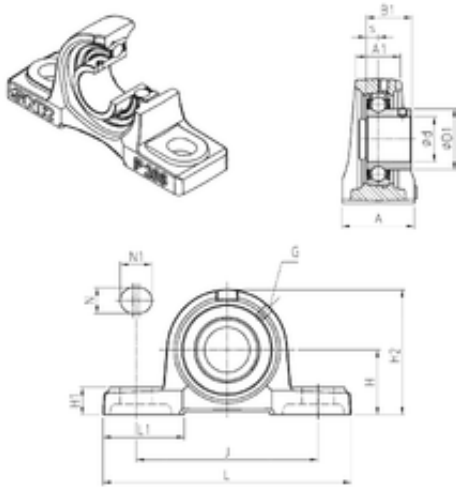




BEARING PRECISION AXLE CORP.



SNR USP207 Bearing units

Bearing No. USP207

Bore Diameter	35 mm
d	35 mm
s	8,5 mm
A	48 mm
A1	31 mm
B1	32 mm
D1	48 mm
H	47,6 mm
H1	19 mm
H2	94 mm
J	127 mm
L	167 mm
L1	54 mm
N	17 mm
N1	21 mm
Thread (G)	M6x1
Weight	1,7 Kg
Basic dynamic load rating (C)	25,7 kN

USP207 Bearing 2D drawings and 3D CAD models