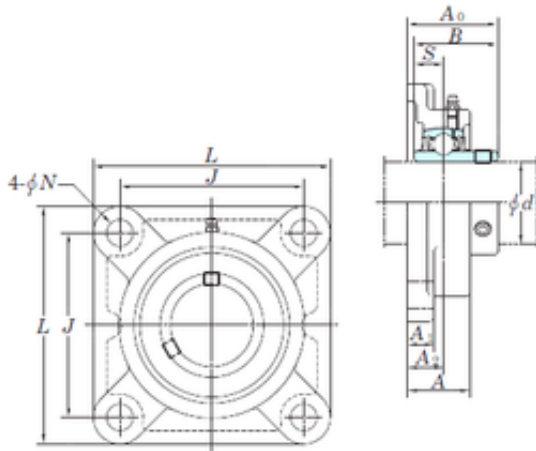




BEARING PRECISION AXLE CORP.

KOYO UCFX06 Bearing units

Bearing No. UCFX06



UCFX06 Bearing 2D drawings and 3D CAD models

Bore Diameter	30 mm
d	30 mm
A0	44,4 mm
A	34 mm
A1	14 mm
B	42,9 mm
J	92 mm
L	117 mm
N	16 mm
S	17,5 mm
Bolt (G)	M14
A2	19 mm
Weight	1,6 Kg
Basic dynamic load rating (C)	25,7 kN
Basic static load rating (C0)	15,4 kN
Bearing No.	UCFX06
Bolt size	M14
Cr	25.7
C0r	15.4
f0	13.9
(Refer.)Unit mass(kg)	1.6
Nipple size	1/4-28UNF