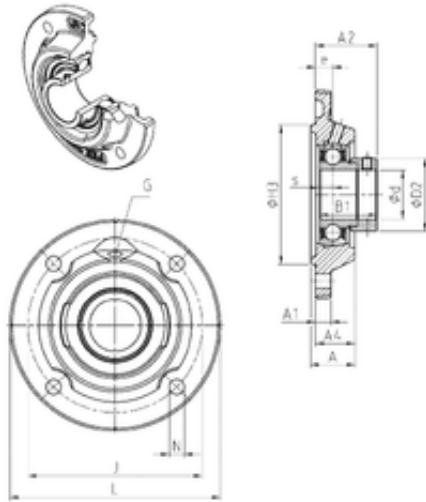




# BEARING PRECISION AXLE CORP.



## SNR ESFEE206 Bearing units

Bearing No. ESFEE206

Bore Diameter	30 mm
d	30 mm
H3	85 mm
A4	24 mm
e	10,5 mm
s	9 mm
A	27 mm
A1	9,5 mm
B1	35,7 mm
D2	44,5 mm
J	105 mm
L	127 mm
N	9 mm
Thread (G)	R1/8"
A2	37,2 mm
Weight	1,2 Kg
Basic dynamic load rating (C)	19,5 kN

ESFEE206 Bearing 2D drawings and 3D CAD models