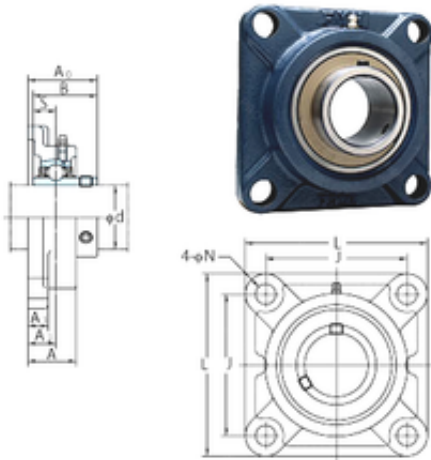




# BEARING PRECISION AXLE CORP.

## FYH UCF307 Bearing units

Bearing No. UCF307



UCF307 Bearing 2D drawings and 3D CAD models

Bore Diameter	35 mm
d	35 mm
A0	49 mm
A	36 mm
A1	16 mm
B	48 mm
J	100 mm
L	135 mm
N	19 mm
S	19 mm
Bolt (G)	M16
A2	20 mm
Weight	2,3 Kg
Basic dynamic load rating (C)	33,4 kN
Basic static load rating (C0)	19,3 kN
Category	Mounted Units & Inserts
Inventory	0.0
Manufacturer Name	FYH BEARING UNITS
Minimum Buy Quantity	N/A
Weight / Kilogram	0
Product Group	M06110