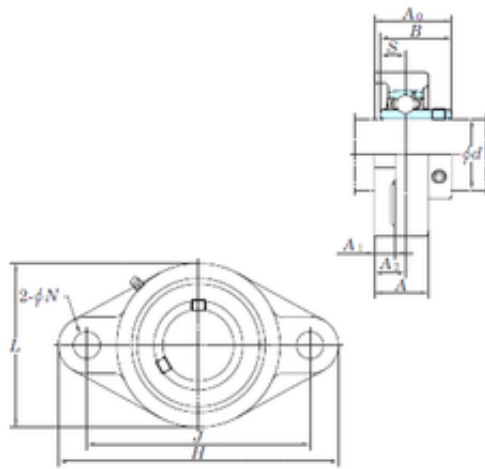




BEARING PRECISION AXLE CORP.



KOYO UCFL215-47 Bearing units

Bearing No. UCFL215-47

Bore Diameter	74,6125 mm
d	74,6125 mm
A0	78,5 mm
A	56 mm
A1	20 mm
B	77,8 mm
H	275 mm
J	225 mm
L	165 mm
N	23 mm
S	33,3 mm
A2	34 mm
Weight	6,4 Kg
Basic static load rating (C0)	67,4 kN

UCFL215-47 Bearing 2D drawings and 3D CAD models