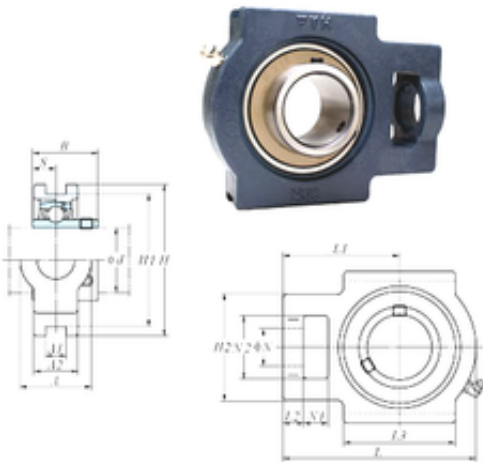




BEARING PRECISION AXLE CORP.

FYH UCT314 Bearing units

Bearing No. UCT314



UCT314 Bearing 2D drawings and 3D CAD models

Bore Diameter	70 mm
d	70 mm
L2	25 mm
L3	140 mm
A	90 mm
A1	26 mm
B	78 mm
H	202 mm
H1	180 mm
H2	130 mm
L	252 mm
L1	155 mm
N	46 mm
N1	36 mm
S	33 mm
A2	52 mm
N2	85 mm
Weight	11,1 Kg
Basic dynamic load rating (C)	104 kN
Basic static load rating (C0)	68,2 kN
Category	Mounted Units & Inserts
Inventory	0.0
Manufacturer Name	FYH BEARING UNITS
Minimum Buy Quantity	N/A
Weight / Kilogram	0
Product Group	M06110



BEARING PRECISION AXLE CORP.