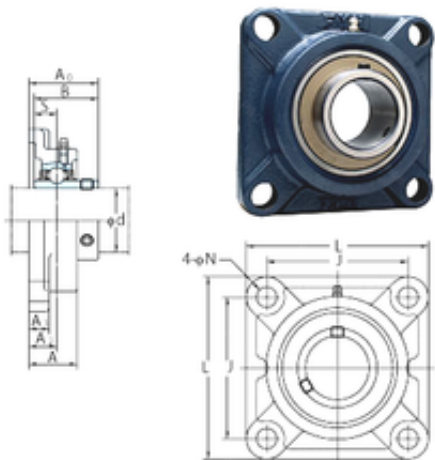




# BEARING PRECISION AXLE CORP.

## FYH UCFX07-22 Bearing units

Bearing No. UCFX07-22



UCFX07-22 Bearing 2D drawings and 3D CAD models

Bore Diameter	34,925 mm
d	34,925 mm
A0	51,2 mm
A	38 mm
A1	14 mm
B	49,2 mm
J	102 mm
L	130 mm
N	16 mm
S	19 mm
Bolt (G)	M14
A2	21 mm
Weight	2 Kg
Basic dynamic load rating (C)	29,1 kN
Basic static load rating (C0)	17,8 kN