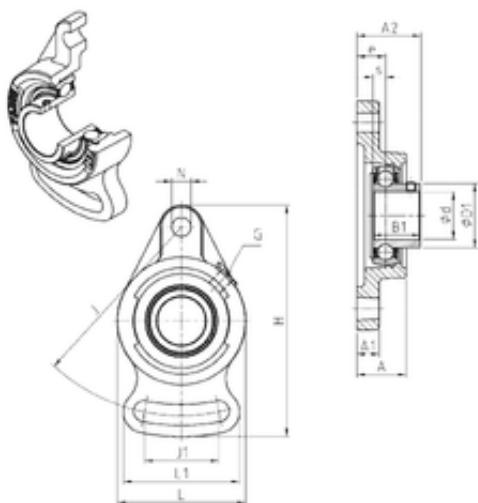




BEARING PRECISION AXLE CORP.



USFA209 Bearing 2D drawings and 3D CAD models

SNR USFA209 Bearing units

Bearing No. USFA209

Bore Diameter	45 mm
d	45 mm
e	22 mm
s	10,2 mm
A	38 mm
A1	18 mm
B1	41,2 mm
D1	57,2 mm
H	181 mm
J	148 mm
L	108 mm
L1	90 mm
N	15 mm
Thread (G)	M6x1
A2	53 mm
J1	72 mm
Weight	2,3 Kg
Basic dynamic load rating (C)	31,85 kN