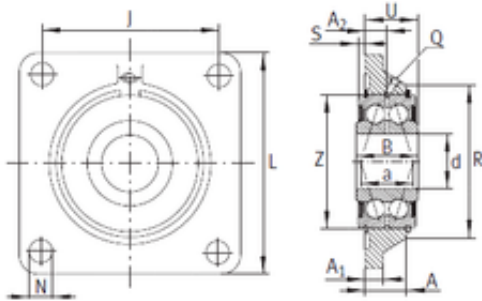




# BEARING PRECISION AXLE CORP.

## INA PCCJ35 Bearing units



PCCJ35 Bearing 2D drawings and 3D CAD models

Bearing No. PCCJ35

U	31,7 mm
Thread (Q)	M6
Z	72 mm
a	33,8 mm
A	26 mm
A1	14 mm
B	36 mm
H	35 mm
J	92 mm
L	118 mm
N	14 mm
R	88 mm
S	3 mm
A2	14 mm
Weight	1,48 Kg
Basic dynamic load rating (C)	39,5 kN
Category	Flange Block Bearings
Inventory	0.0
Manufacturer Name	SCHAEFFLER GROUP
Minimum Buy Quantity	N/A
Weight / Kilogram	1.772
EAN	4012802808117
Product Group	M06110
Number of Mounting Holes	4
Mounting Method	Double Snap Ring
Housing Style	4 Bolt Square Flange



## BEARING PRECISION AXLE CORP.

	Cartridge
Rolling Element	Ball Bearing
Housing Material	Cast Iron
Expansion / Non-expansion	Non-expansion
Mounting Bolts	14 Millimeter
Relubricatable	Yes
Insert Part Number	G5207-2RSN
Seals	Double Lip Contact
Housing Configuration	1 Piece Solid
Pilot Configuration	With Pilot
Inch - Metric	Metric
Long Description	4 Bolt Square Flange Cartridge; 35MM Bore; 130MM Bolt Circle; 92MM Bolt Spacing; 1 Piece Solid; Double Snap Ring Mount; Cast Iron; Ball Bearing; 36MM Length Thru Bore; Relubricatable; Double Lip Conta
Other Features	Double Row   Centering Spigot
Category	Flange Block
UNSPSC	31171501
Harmonized Tariff Code	8483.20.40.40
Noun	Bearing
Keyword String	Flanged
Manufacturer URL	<a href="http://www.ina.com">http://www.ina.com</a>
Manufacturer Item Number	PCCJ35
Weight / LBS	3.263
Cartridge Pilot Depth	0.118 Inch   3 Millimeter
Cartridge Pilot Diameter	2.835 Inch   72 Millimeter
Bolt Spacing	3.622 Inch   92 Millimeter
Length Thru Bore	1.417 Inch   36 Millimeter
Nominal Bolt Circle	5.1 Inch   130 Millimeter



## BEARING PRECISION AXLE CORP.

Diameter Round	
Bore	1.378 Inch   35 Millimeter