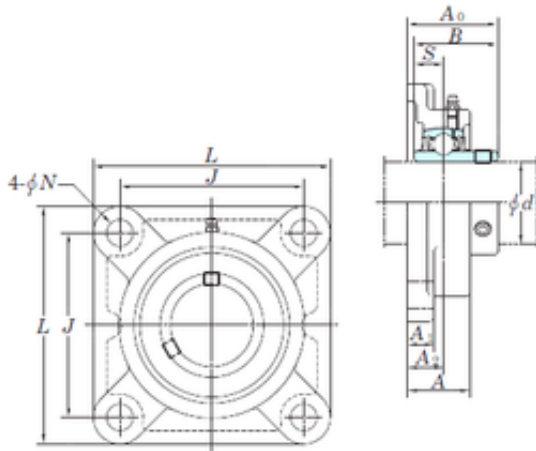




# BEARING PRECISION AXLE CORP.

## KOYO UCF309 Bearing units

Bearing No. UCF309



UCF309 Bearing 2D drawings and 3D CAD models

Bore Diameter	45 mm
d	45 mm
A0	60 mm
A	44 mm
A1	18 mm
B	57 mm
J	125 mm
L	160 mm
N	19 mm
S	22 mm
Bolt (G)	M16
A2	25 mm
Weight	4 Kg
Basic dynamic load rating (C)	48,9 kN
Basic static load rating (C0)	29,5 kN
Bearing No.	UCF309
Bolt size	M16
Cr	48.9
C0r	29.5
f0	13.3
(Refer.)Unit mass(kg)	4.0
Nipple size	R1/8