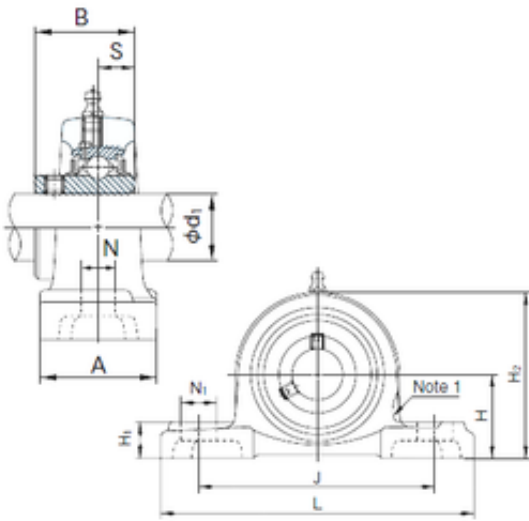




BEARING PRECISION AXLE CORP.

NACHI UCP201 Bearing units

Bearing No. UCP201



UCP201 Bearing 2D drawings and 3D CAD models

Bore Diameter	12 mm
Width	31 mm
d	12 mm
A	38 mm
B	31 mm
H	30.2 mm
H1	15 mm
H2	62 mm
J	95 mm
L	127 mm
N	13 mm
N1	19 mm
S	12.7 mm
Bolt (G)	M10