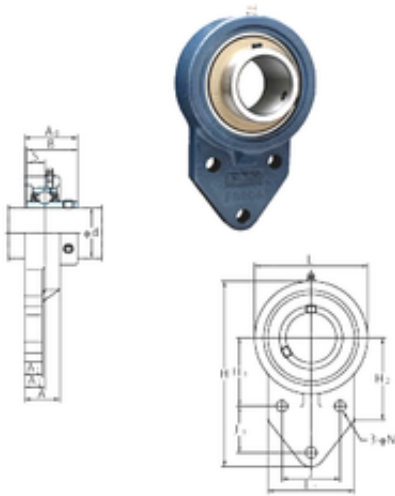




# BEARING PRECISION AXLE CORP.

## FYH UCFB207-23 Bearing units

Bearing No. UCFB207-23



UCFB207-23 Bearing 2D drawings and 3D CAD models

Bore Diameter	36,5125 mm
d	36,5125 mm
A0	44,4 mm
A	33 mm
A1	15 mm
B	42,9 mm
H	144 mm
H1	55 mm
H2	62 mm
J	46 mm
L	90 mm
L1	70 mm
N	9,5 mm
S	17,5 mm
Bolt (G)	M8
A2	19 mm
J1	32 mm
Weight	1,3 Kg
Basic dynamic load rating (C)	25,7 kN
Basic static load rating (C0)	15,4 kN