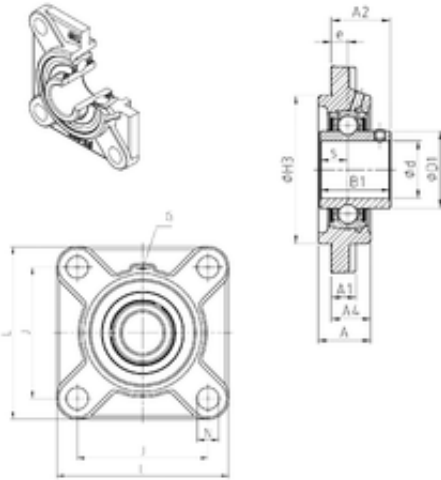




BEARING PRECISION AXLE CORP.



SNR UCFS318 Bearing units

Bearing No. UCFS318

Bore Diameter	90 mm
d	90 mm
H3	240 mm
A4	56 mm
e	24 mm
s	40 mm
A	76 mm
A1	30 mm
B1	96 mm
D1	120 mm
J	216 mm
L	280 mm
N	35 mm
Thread (G)	M10x1
A2	80 mm
Weight	21,2 Kg
Basic dynamic load rating (C)	143 kN

UCFS318 Bearing 2D drawings and 3D CAD models