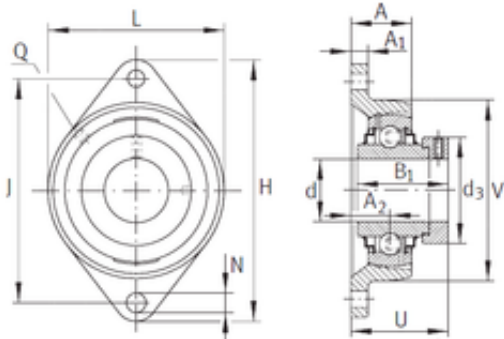




BEARING PRECISION AXLE CORP.

INA RCJT2-3/16 Bearing units



RCJT2-3/16 Bearing 2D drawings and 3D CAD models

Bearing No. RCJT2-3/16

Bore Diameter	55,563 mm
d	55,563 mm
V	134,493 mm
U	74,6 mm
Thread (Q)	1/8 NPT
d3	75,997 mm
A	45,999 mm
A1	16,993 mm
B	71,399 mm
H	226,009 mm
J	183,998 mm
L	134,493 mm
N	16,993 mm
A2	30,988 mm
Category	Flange Block Bearings
Inventory	0.0
Manufacturer Name	SCHAEFFLER GROUP
Minimum Buy Quantity	N/A
Weight / Kilogram	3.497
Product Group	M06110
Number of Mounting Holes	2
Mounting Method	Eccentric Collar
Housing Style	2 Bolt Flange Block
Rolling Element	Ball Bearing
Housing Material	Cast Iron
Expansion / Non-expansion	Non-expansion



BEARING PRECISION AXLE CORP.

Mounting Bolts	0.669 Inch
Relubricatable	Yes
Insert Part Number	G1203KRRB
Seals	Double Land Riding Rubber Contact
Housing Configuration	1 Piece Solid
Pilot Configuration	No Pilot
Inch - Metric	Inch
Long Description	2 Bolt Flange Block; 2-3/16" Bore; 7.3" Bolt Circle; 7.244" Bolt Spacing; 1 Piece Solid; Eccentric Collar Mount; Cast Iron; Ball Bearing; 2.811" Length Thru Bore; Relubricatable; D
Other Features	Single Row With Set Screw
Category	Flange Block
UNSPSC	31171501
Harmonized Tariff Code	8483.20.40.40
Noun	Bearing
Keyword String	Flanged
Manufacturer URL	http://www.ina.com
Manufacturer Item Number	RCJT2-3/16
Weight / LBS	8.6
Bore	2.188 Inch 55.575 Millimeter
Cartridge Pilot Diameter	0 Inch 0 Millimeter
Cartridge Pilot Depth	0 Inch 0 Millimeter
Bolt Spacing	7.244 Inch 184 Millimeter
Nominal Bolt Circle Diameter Round	7.3 Inch 184.2 Millimeter
Length Thru Bore	2.811 Inch 71.4 Millimeter