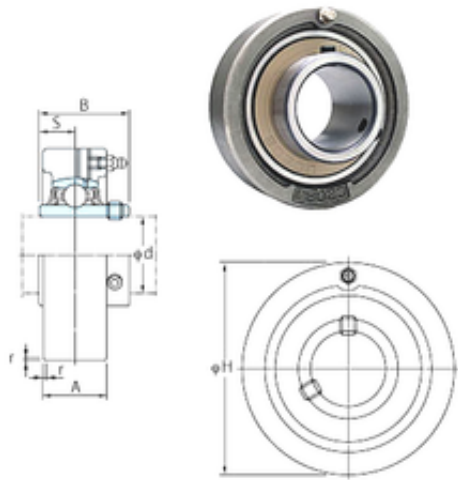




BEARING PRECISION AXLE CORP.

FYH UCC205 Bearing units

Bearing No. UCC205



UCC205 Bearing 2D drawings and 3D CAD models

Bore Diameter	25 mm
Width	34,1 mm
d	25 mm
r	1,5 mm
A	22 mm
B	34,1 mm
H	80 mm
S	14,3 mm
Weight	0,64 Kg
Basic dynamic load rating (C)	14 kN
Basic static load rating (C0)	7,85 kN
Category	Cartridge Unit Bearings
Inventory	0.0
Manufacturer Name	FYH BEARING UNITS
Minimum Buy Quantity	N/A
Weight / Kilogram	0.64
Product Group	M06110
Mounting Method	Set Screw
Housing Style	Cartridge Unit
Housing Material	Cast Iron
Rolling Element	Ball Bearing
Expansion / Non-expansion	Non-expansion
Relubricatable	Yes
Insert Part Number	UC205
Seals	Double Lip Contact
Other Features	Single Row Normal Duty



BEARING PRECISION AXLE CORP.

	Has Slinger
Long Description	25MM Bore; 80MM Outside Diameter; 22MM Cartridge Housing Width; Set Screw; Cartridge Unit; Cast Iron; Ball Bearing; 34.1MM Length Thru Bore; Relubricatable; UC205 Insert; Double Lip Contact; Non-expan
Inch - Metric	Metric
Category	Mounted Cartridge Units
UNSPSC	31171535
Harmonized Tariff Code	8483.20.40.40
Noun	Bearing
Keyword String	Cartridge
Manufacturer URL	http://www.fyhbearings.com
Manufacturer Item Number	UCC205
Weight / LBS	1.411
Bore	0.984 Inch 25 Millimeter
Length Thru Bore	1.343 Inch 34.1 Millimeter
Outside Diameter	3.15 Inch 80 Millimeter
Cartridge Housing Width	0.866 Inch 22 Millimeter