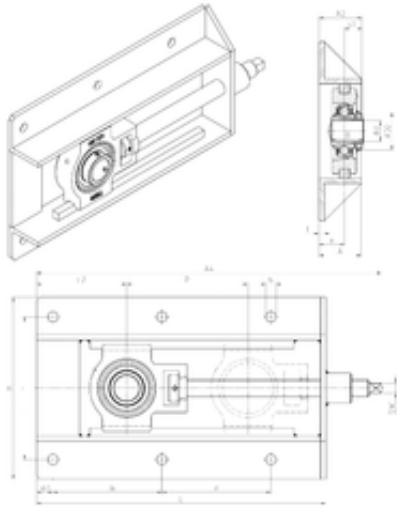




BEARING PRECISION AXLE CORP.



SNR UKT207H+WB Bearing units

Bearing No. UKT207H+WB

Bore Diameter	30 mm
d	30 mm
A4	490 mm
P	230 mm
e	30 mm
L2	99 mm
s1	22,5 mm
SW	12 mm
A	50 mm
B	43 mm
D2	52 mm
H	212 mm
J	166 mm
L	429 mm
M	173 mm
M1	19 mm
N	12 mm
T	6 mm
A2	52,5 mm
Weight	8,4 Kg
Basic dynamic load rating (C)	25,7 kN
A1	12 mm
A5	22.5 mm
B1	43 mm
d1	52 mm
G	M6x1

UKT207H+WB Bearing 2D drawings and 3D CAD models



BEARING PRECISION AXLE CORP.

H1	89 mm
H2	64 mm
L1	78 mm
L3	64 mm
N1	16 mm
N2	37 mm
C	25.7 kN
C0	15.2 kN
T min.	-20 ° C
T max.	100 ° C
Adapter sleeve reference	H2307
Designation of housing	T207-
Designation of bearing	UK207G2H