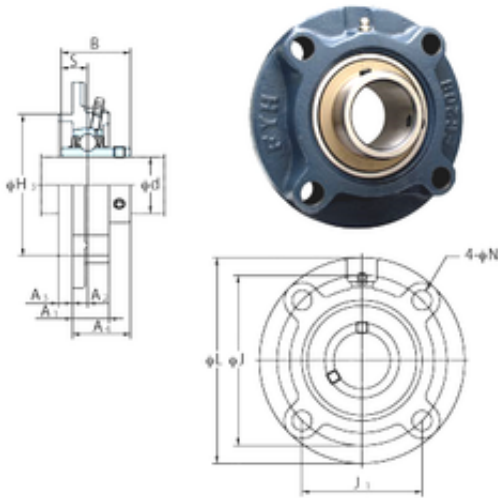




BEARING PRECISION AXLE CORP.

FYH UCFCX06-19E Bearing units

Bearing No. UCFCX06-19E



UCFCX06-19E Bearing 2D drawings and 3D CAD models

Bore Diameter	30,1625 mm
d	30,1625 mm
H3	85,725 mm
A4	33,4 mm
A1	22,5 mm
B	42,9 mm
J	105 mm
L	127 mm
N	12 mm
S	17,5 mm
Bolt (G)	M10
A2	8 mm
A3	9,5 mm
J1	74,2 mm
Weight	1,5 Kg
Basic dynamic load rating (C)	25,7 kN
Basic static load rating (C0)	15,4 kN