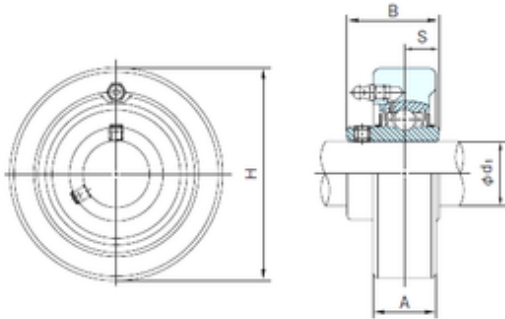




BEARING PRECISION AXLE CORP.

NACHI UCCX10 Bearing units



Bearing No. UCCX10

Bore Diameter	50 mm
Width	55.6 mm
d	50 mm
A	40 mm
B	55.6 mm
H	130 mm
S	22.2 mm

UCCX10 Bearing 2D drawings and 3D CAD models