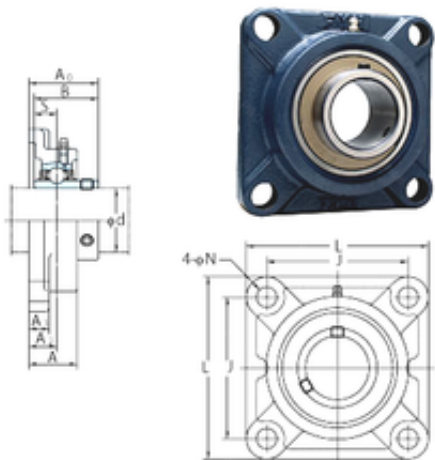




BEARING PRECISION AXLE CORP.

FYH UCF320-64 Bearing units

Bearing No. UCF320-64



Bore Diameter	101,6 mm
d	101,6 mm
A0	125 mm
A	94 mm
A1	32 mm
B	108 mm
J	242 mm
L	310 mm
N	38 mm
S	42 mm
Bolt (G)	M33
A2	59 mm
Weight	25,8 Kg
Basic dynamic load rating (C)	173 kN
Basic static load rating (C0)	141 kN

UCF320-64 Bearing 2D drawings and 3D CAD models