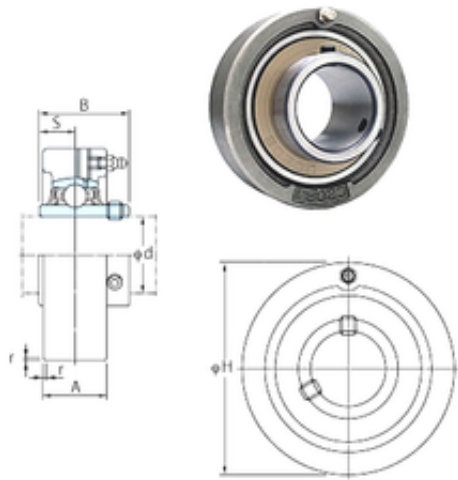




BEARING PRECISION AXLE CORP.

FYH UCCX08-24 Bearing units

Bearing No. UCCX08-24



Bore Diameter	38,1 mm
Width	49,2 mm
d	38,1 mm
r	2 mm
A	38 mm
B	49,2 mm
H	120 mm
S	19 mm
Weight	2,3 Kg
Basic dynamic load rating (C)	34,1 kN
Basic static load rating (C0)	21,3 kN

UCCX08-24 Bearing 2D drawings and 3D CAD models