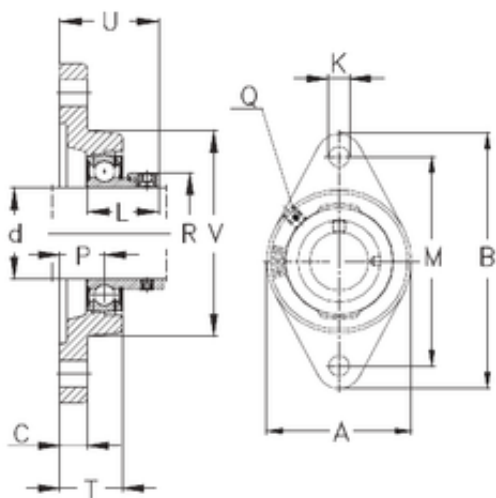




BEARING PRECISION AXLE CORP.



NKE PCJT45 Bearing units

Bearing No. PCJT45

Bore Diameter	45 mm
d	45 mm
P	24 mm
V	111 mm
U	56,7 mm
K	14 mm
A	111 mm
B	180 mm
C	13 mm
L	43,7 mm
M	148,5 mm
R	63 mm
T	35 mm
Thread (G)	R1/8 "

PCJT45 Bearing 2D drawings and 3D CAD models