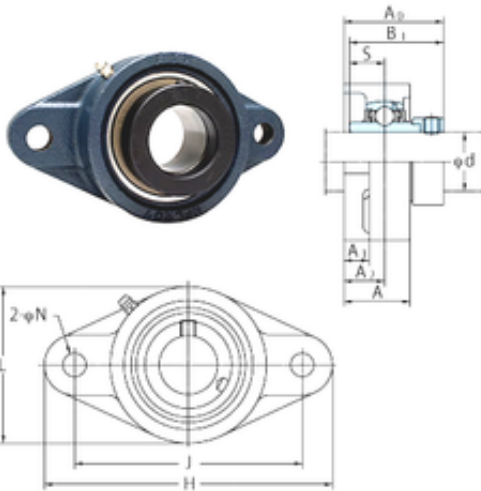




BEARING PRECISION AXLE CORP.



FYH NANFL207-22 Bearing units

Bearing No. NANFL207-22

Bore Diameter	34,925 mm
d	34,925 mm
A0	53,8 mm
A	36,5 mm
A1	14 mm
B1	51,1 mm
H	161 mm
J	130,2 mm
L	90 mm
N	13 mm
S	18,8 mm
Bolt (G)	7/16
A2	21,5 mm
Weight	1,6 Kg
Basic dynamic load rating (C)	3 kN
Basic static load rating (C0)	15,4 kN

NANFL207-22 Bearing 2D drawings and 3D CAD models