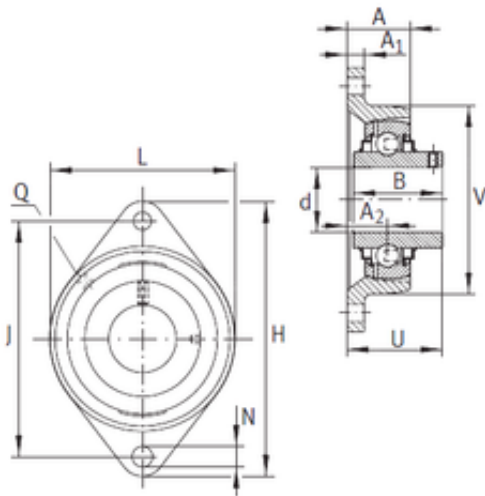




BEARING PRECISION AXLE CORP.



RCJTY75 Bearing 2D drawings and 3D CAD models

INA RCJTY75 Bearing units

Bearing No. RCJTY75

Bore Diameter	75 mm
d	75 mm
V	160 mm
U	82,5 mm
Thread (Q)	Rp1/8
A	57 mm
A1	18 mm
B	77,8 mm
H	258 mm
J	216 mm
L	160 mm
N	21 mm
A2	38 mm
Weight	5,53 Kg
Basic dynamic load rating (C)	62 kN
Category	Flange Block Bearings
Inventory	0.0
Manufacturer Name	SCHAEFFLER GROUP
Minimum Buy Quantity	N/A
Weight / Kilogram	7.041
Product Group	M06110
Number of Mounting Holes	2
Mounting Method	Set Screw
Housing Style	2 Bolt Flange Block
Rolling Element	Ball Bearing
Housing Material	Cast Iron



BEARING PRECISION AXLE CORP.

Expansion / Non-expansion	Non-expansion
Mounting Bolts	21 Millimeter
Relubricatable	Yes
Insert Part Number	GYE75KRRB
Seals	Double Land Riding Rubber Contact
Housing Configuration	1 Piece Solid
Pilot Configuration	No Pilot
Inch - Metric	Metric
Long Description	2 Bolt Flange Block; 75MM Bore; 215MM Bolt Circle; 216MM Bolt Spacing; 1 Piece Solid; Set Screw Mount; Cast Iron; Ball Bearing; 77.8MM Length Thru Bore; Relubricatable; Double Land Riding Rubber Conta
Other Features	Single Row With Grub Screw
Category	Flange Block
UNSPSC	31171501
Harmonized Tariff Code	8483.20.40.40
Noun	Bearing
Keyword String	Flanged
Manufacturer URL	http://www.ina.com
Manufacturer Item Number	RCJTY75
Weight / LBS	12.21
Nominal Bolt Circle Diameter Round	8.5 Inch 215 Millimeter
Cartridge Pilot Diameter	0 Inch 0 Millimeter
Cartridge Pilot Depth	0 Inch 0 Millimeter
Bore	2.953 Inch 75 Millimeter
Length Thru Bore	3.063 Inch 77.8 Millimeter
Bolt Spacing	8.504 Inch 216 Millimeter