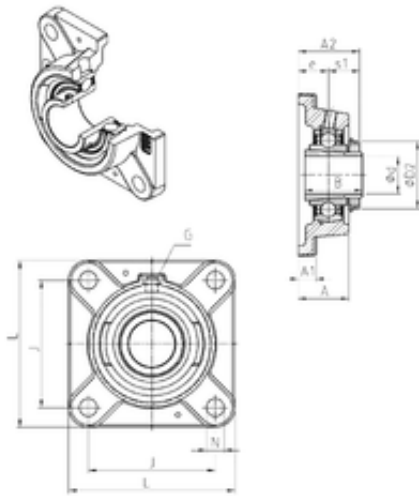




BEARING PRECISION AXLE CORP.

SNR UKFE212H Bearing units

Bearing No. UKFE212H



UKFE212H Bearing 2D drawings and 3D CAD models

Bore Diameter	55 mm
d	55 mm
e	34 mm
s1	31 mm
A	53,5 mm
A1	16 mm
B	62 mm
D2	80 mm
J	143 mm
L	175 mm
N	18 mm
Thread (G)	R1/8"
A2	65 mm
Weight	4,9 Kg
Basic dynamic load rating (C)	52,5 kN