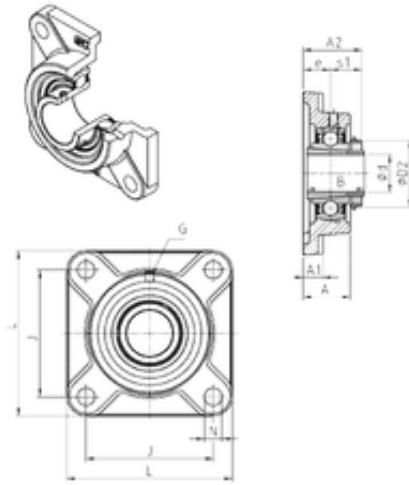




BEARING PRECISION AXLE CORP.



SNR UKF213H Bearing units

Bearing No. UKF213H

Bore Diameter	60 mm
d	60 mm
e	30 mm
s1	32 mm
A	50 mm
A1	22 mm
B	65 mm
D2	85 mm
J	149 mm
L	187 mm
N	19 mm
Thread (G)	M6x1
A2	62 mm
Weight	5,6 Kg
Basic dynamic load rating (C)	57,2 kN

UKF213H Bearing 2D drawings and 3D CAD models