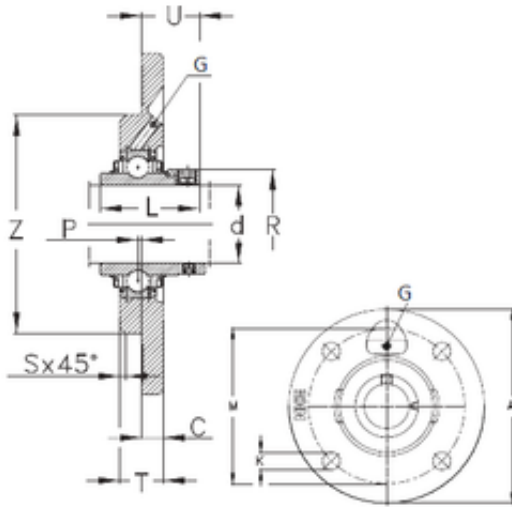




BEARING PRECISION AXLE CORP.



NKE RMEY65 Bearing units

Bearing No. RMEY65

Bore Diameter	65 mm
d	65 mm
P	0 mm
U	44,4 mm
K	18 mm
Z	150 mm
A	215 mm
C	18 mm
L	74,6 mm
M	177 mm
S	6 mm
T	32 mm
Thread (G)	R1/8 "

RMEY65 Bearing 2D drawings and 3D CAD models