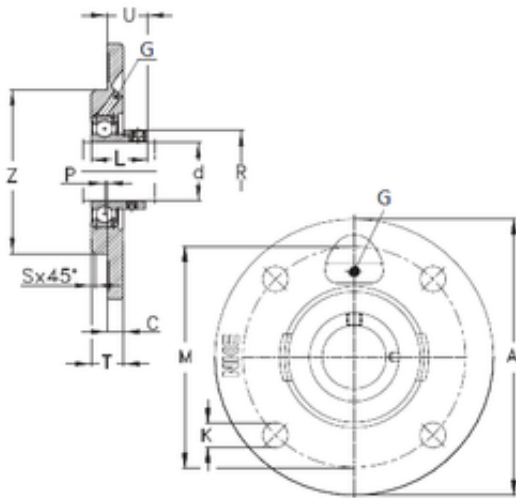




BEARING PRECISION AXLE CORP.

NKE PME60-N Bearing units

Bearing No. PME60-N



PME60-N Bearing 2D drawings and 3D CAD models

Bore Diameter	60 mm
d	60 mm
P	1 mm
U	38,6 mm
K	18 mm
Z	135 mm
A	195 mm
C	16 mm
L	53,1 mm
M	160 mm
R	84 mm
S	3 mm
T	29 mm
Thread (G)	R1/8 "