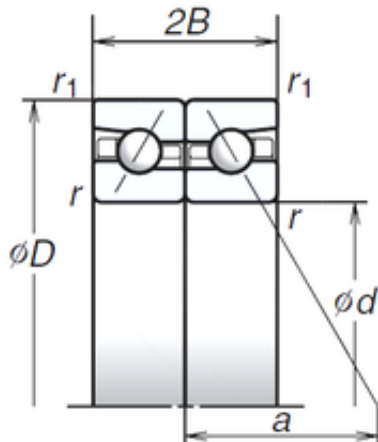




BEARING PRECISION AXLE CORP.



200 mm x 310 mm x 49,5 mm NSK 200BTR10S
Angular contact ball bearings

Bearing No. 200BTR10S

Size	200x310x49.5 mm
Bore Diameter	200 mm
Outer Diameter	310 mm
Width	49,5 mm
d	200 mm
D	310 mm
B	49,5 mm
C	49,5 mm
Angle (°)	30 °
a	131,7 mm
r min.	2,1 mm
r1 min.	1,1 mm
2B	99 mm
Weight	13,8 Kg
Basic dynamic load rating (C)	201 kN
Basic static load rating (C0)	505 kN
(Grease) Lubrication Speed	2 600 r/min
(Oil) Lubrication Speed	3 400 r/min

200BTR10S Bearing 2D drawings and 3D CAD models