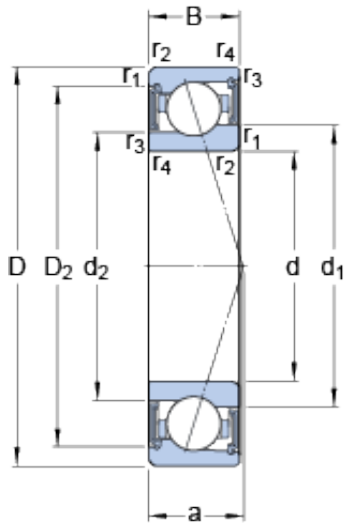




BEARING PRECISION AXLE CORP.



S71922 CE/P4A Bearing 2D drawings and 3D CAD models

110 mm x 150 mm x 20 mm SKF S71922
CE/P4A Angular contact ball bearings

Bearing No. S71922 CE/P4A

| | |
|---|---------------|
| Size | 150x110x20 mm |
| Bore Diameter | 150 mm |
| Outer Diameter | 110 mm |
| Width | 20 mm |
| d | 110 mm |
| D | 150 mm |
| B | 20 mm |
| d ₁ | 122.4 mm |
| d ₂ | 119 mm |
| D ₂ | 140.9 mm |
| r _{1,2} - min. | 1.1 mm |
| r _{3,4} - min. | 0.6 mm |
| a | 28.7 mm |
| d _a - min. | 116 mm |
| d _a - max. | 121.8 mm |
| d _b - min. | 113.2 mm |
| d _b - max. | 118.4 mm |
| D _a - max. | 144 mm |
| D _b - max. | 146.8 mm |
| r _a - max. | 1 mm |
| r _b - max. | 0.6 mm |
| Basic dynamic load rating - C | 39.7 kN |
| Basic static load rating - C ₀ | 34.5 kN |
| Fatigue load limit - P _u | 1.2 kN |



BEARING PRECISION AXLE CORP.

| | |
|---------------------------------------|--------------|
| Limiting speed for grease lubrication | 12000 r/min |
| Ball - D_w | 12.7 mm |
| Ball - z | 26 |
| Calculation factor - f_0 | 8.6 |
| Preload class A - G_A | 220 N |
| Preload class B - G_B | 650 N |
| Preload class C - G_C | 1300 N |
| Calculation factor - f | 1.2 |
| Calculation factor - f | 1 |
| Calculation factor - f_{2A} | 1 |
| Calculation factor - f_{2B} | 1.04 |
| Calculation factor - f_{2C} | 1.08 |
| Calculation factor - f_{HC} | 1 |
| Preload class A | 80 N/micron |
| Preload class B | 126 N/micron |
| Preload class C | 174 N/micron |
| d_1 | 122.4 mm |
| d_2 | 119 mm |
| D_2 | 140.9 mm |
| $r_{1,2}$ min. | 1.1 mm |
| $r_{3,4}$ min. | 0.6 mm |
| d_a min. | 116 mm |
| d_a max. | 121.8 mm |
| d_b min. | 113.2 mm |
| d_b max. | 118.4 mm |
| D_a max. | 144 mm |
| D_b max. | 146.8 mm |
| r_a max. | 1 mm |
| r_b max. | 0.6 mm |
| Basic dynamic load rating C | 39.7 kN |



BEARING PRECISION AXLE CORP.

| | |
|---|----------------|
| Basic static load rating C_0 | 34.5 kN |
| Fatigue load limit P_u | 1.25 kN |
| Attainable speed for grease lubrication | 12000 r/min |
| Ball diameter D_w | 12.7 mm |
| Number of balls z | 26 |
| Preload class A G_A | 220 N |
| Static axial stiffness, preload class A | 80 N/ μ m |
| Preload class B G_B | 650 N |
| Static axial stiffness, preload class B | 126 N/ μ m |
| Preload class C G_C | 1300 N |
| Static axial stiffness, preload class C | 174 N/ μ m |
| Calculation factor f | 1.2 |
| Calculation factor f_1 | 1 |
| Calculation factor f_{2A} | 1 |
| Calculation factor f_{2B} | 1.04 |
| Calculation factor f_{2C} | 1.08 |
| Calculation factor f_{HC} | 1 |
| Calculation factor f_0 | 8.6 |
| Mass bearing | 0.84 kg |