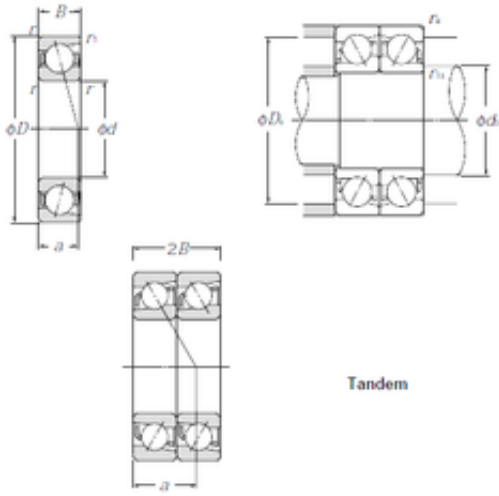




BEARING PRECISION AXLE CORP.



90 mm x 125 mm x 18 mm CYSD 7918CDT
Angular contact ball bearings

Bearing No. 7918CDT

Size	90x125x18 mm
Bore Diameter	90 mm
Outer Diameter	125 mm
Width	18 mm
d	90 mm
D	125 mm
B	18 mm
C	18 mm
Angle (°)	15 °
r min.	1,1 mm
2B	36 mm
Weight	1,098 Kg
Basic dynamic load rating (C)	66 kN
Basic static load rating (C0)	88,5 kN
(Grease) Lubrication Speed	6100 r/min

7918CDT Bearing 2D drawings and 3D CAD models