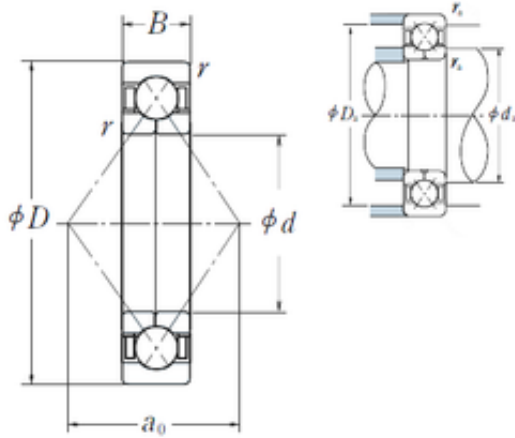




BEARING PRECISION AXLE CORP.



110 mm x 240 mm x 50 mm NSK QJ 322
Angular contact ball bearings

Bearing No. QJ 322

Size	110x240x50 mm
Bore Diameter	110 mm
Outer Diameter	240 mm
Width	50 mm
d	110 mm
D	240 mm
B	50 mm
C	50 mm
Angle ()	35 °
a	122,5 mm
r min.	3 mm
da min.	124 mm
da max	226 mm
ra max.	2,5 mm
Weight	12,5 Kg
Basic dynamic load rating (C)	320 kN
Basic static load rating (C0)	710 kN
(Grease) Lubrication Speed	2 200 r/min

QJ 322 Bearing 2D drawings and 3D CAD models