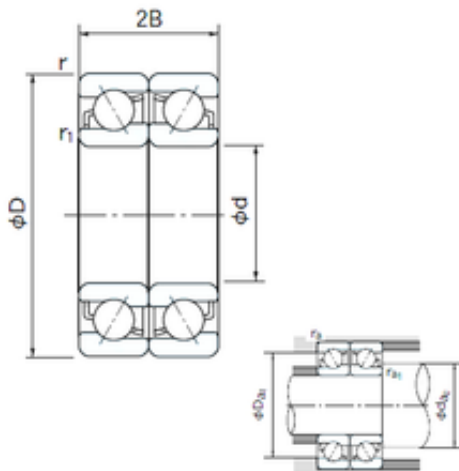




BEARING PRECISION AXLE CORP.



110 mm x 200 mm x 38 mm NACHI 7222DF
Angular contact ball bearings

Bearing No. 7222DF

7222DF Bearing 2D drawings and 3D CAD models

Size	110x200x38 mm
Bore Diameter	110 mm
Outer Diameter	200 mm
Width	38 mm
d	110 mm
D	200 mm
B	38 mm
C	38 mm
Angle (°)	30 °
a	25.7 mm
r min.	2.1 mm
r1 min.	1.1 mm
2B	76 mm
da min.	117 mm
Da max.	193 mm
ra max.	1 mm
Weight	4.62 Kg
Basic dynamic load rating (C)	276 kN
Basic static load rating (C0)	315 kN
(Grease) Lubrication Speed	2200 r/min
Bore Type	Cylindrical Bore
Enclosure	Open
Configuration	Duplex
Bore Size	110 mm
Outside Diameter	200 mm



BEARING PRECISION AXLE CORP.

Width	38 mm
Fillet Radius/Chamfer	2.1 mm
r1	1.1 mm
Dynamic Load Rating	276,000 N
Static Load Rating	315,000 N
Limiting Speed - Grease	2,200 rpm
Limiting Speed - Oil	3,000 rpm
da1 (min)	122 mm
da2 (min)	117 mm
Da1 (max)	188 mm
Da2 (max)	193 mm
ra (max)	2 mm
ra1 (max)	1 mm