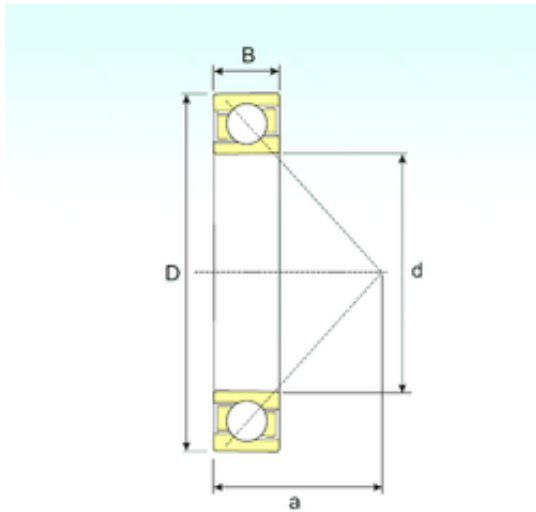




## BEARING PRECISION AXLE CORP.



560 mm x 750 mm x 85 mm ISB 719/560 A  
Angular contact ball bearings

Bearing No. 719/560 A

Size	560x750x85 mm
Bore Diameter	560 mm
Outer Diameter	750 mm
Width	85 mm
d	560 mm
D	750 mm
B	85 mm
C	85 mm
a	135 mm
Weight	210 Kg
Basic dynamic load rating (C)	592 kN
Basic static load rating (C0)	980 kN
(Grease) Lubrication Speed	550 r/min

719/560 A Bearing 2D drawings and 3D CAD models