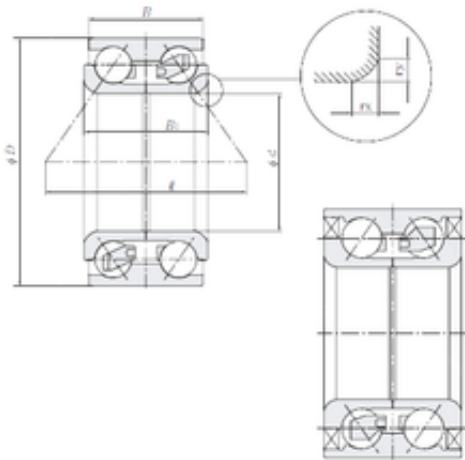




BEARING PRECISION AXLE CORP.



36 mm x 72 mm x 34 mm NTN
DE0769CS46PX1/5A Angular contact ball bearings

Bearing No. DE0769CS46PX1/5A

Size	36x72x34 mm
Bore Diameter	36 mm
Outer Diameter	72 mm
Width	34 mm
d	36 mm
D	72 mm
B	34 mm
C	34 mm
rx	3 mm
ry	3 mm
	55,1 Tolerance h14
Weight	0,57 Kg
Basic dynamic load rating (C)	32 kN
Basic static load rating (C0)	25 kN

DE0769CS46PX1/5A Bearing 2D drawings and 3D CAD models